

NOR-LAKE, INCORPORATED
 727 Second Street
 P.O. Box 248
 Hudson, Wisconsin 54016

800-955-5253
 715-386-2323
 800-388-5253 Parts
 715-386-6149 FAX
 www.norlake.com



NOVA™ DUAL TEMPERATURE REACH-IN



PROJECT:

 ITEM NUMBER:

 MODEL NUMBER:

DUAL TEMPERATURE REACH-IN

SPECIFICATIONS FOR: ND202

- Exterior finish: Exterior front, sides and doors are 22 gauge stainless steel. The exterior top, back and bottom are galvanized steel. All exterior joints and seams fold in without lap joints. No exposed raw edges.
- Interior finish: Interior liner and interior door panel are smooth aluminum.
- Insulation: The complete cabinet and door(s) are foamed-in-place with polyurethane insulation.
- Hardware: Heavy duty, pivot hinges; centered key locks; full length, stainless steel pull handles; self adjusting magnetic gaskets; 4" diameter casters; and 2 epoxy coated shelves per door - standard.
- Electrical: All models are standard with complete perimeter, anti-condensate door opening heater wires and an interior incandescent light activated by switches for each door.
- Instrumentation: Digital LED thermometer reading tenths of a degree F. for each compartment - standard.
- Refrigeration: Top mounted condensing unit and interior mounted evaporators are standard. The evaporators are copper tube, aluminum fin. The refrigerator evaporator is coated with a special acrylic to prevent deterioration from acidic foods. The condensate is collected and automatically evaporated from an electric evaporator pan. Refrigerant flow is controlled by thermal expansion valves increasing the ability of the refrigerator and freezer to meet varying load conditions. R-404A refrigerant. Operating temperature: 38°F for the refrigerator and 0°F for the freezer.
- Approvals: UL listed.
 C-UL listed.**
 UL Sanitation.**

STANDARD FEATURES

- Air-cooled condensing unit
- Aluminum interior
- Automatic condensate evaporation
- Automatic defrost
- 4" casters
- Coated evaporator for refrigerator
- Digital thermometers
- Door opening heaters
- Epoxy coated shelves
- Freezer compartment on top
- Interior light
- Key locks
- Magnetic gasketing
- Non CFC refrigerant
- Operating temperature: 38°F & 0°F
- Polyurethane insulation
- Refrigerator compartment on bottom
- Stainless steel front and sides
- UL, C-UL & UL Sanitation listed**
- Warranties: 90 day labor plus 1 year parts

OPTIONAL FEATURES*

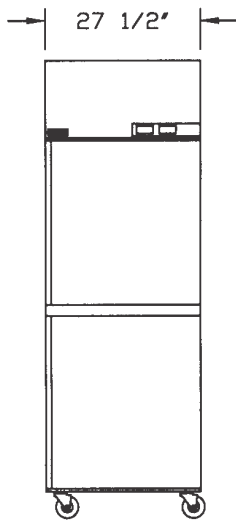
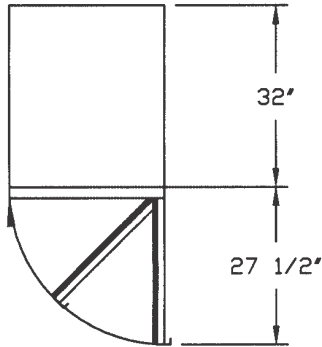
- Extra shelves
- Freezer compartment on bottom
- Glass door refrigerator
- Legs in lieu of casters
- Pan slides
- Refrigerator compartment on top
- White interior with glass door model
- Warranties: 5 year compressor plus 1 year service



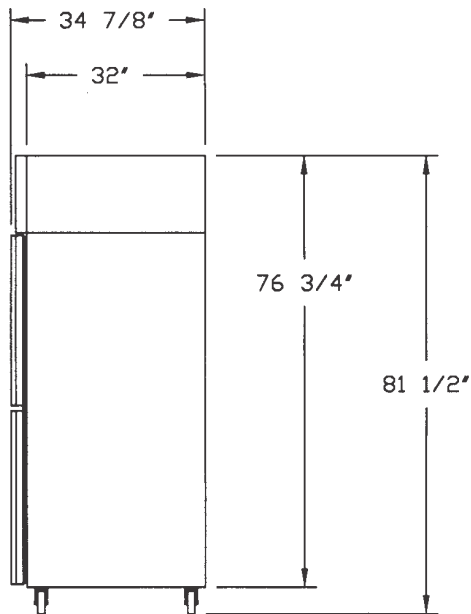
Nor-Lake, Inc.
 Registered to ISO 9001
 File No. A3204

* Most options are available two weeks from receipt of order. Please contact us for specific questions.
 **C-UL is Underwriters Laboratories Safety Certification Mark which indicates that UL has tested the equipment to applicable CSA Standards.
 **UL Sanitation is Underwriters Laboratories Sanitation Mark which indicates that UL has tested the equipment to applicable NSF Standards.

TOP



FRONT



SIDE

SPECIFICATIONS

ND202

<i>Crated Height</i>	81"
<i>Crated Width</i>	31"
<i>Crated Depth</i>	38"
<i>Crated Weight (lbs)</i>	400
<i>Interior Height</i>	27-1/2" per compartment
<i>Interior Width</i>	23-1/2"
<i>Interior Depth</i>	28"
<i>Overall Height*</i>	81-1/2"
<i>Overall Width</i>	27-1/2"
<i>Overall Depth</i>	34-7/8"
<i>Gross Cubage (ft.³)</i>	20
<i>Shelf Area (sq. ft.)</i>	17 sq. ft.
<i>26 sq. ft. including floor of compartments</i>	
<i>Number of Shelves</i>	2 per door
<i>Number of Casters</i>	4
<i>Number of Legs (optional)</i>	4
<i>Condensing Unit Size</i>	1/2
<i>Refrigerant</i>	R-404A
<i>Electrical Characteristics</i>	115/60/1 (with solid doors)
<i>Cord & Plug Furnished</i>	Yes
<i>Maximum Fuse Size</i>	20
<i>NEMA Plug Configuration</i>	6-20P
<i>Total Amp Draw</i>	10

Specifications subject to change without notice.

* The overall heights shown in the table and drawings are with casters. With 6" legs the overall height is 82-3/4".



Revision Date: 6/00
 NOR-LAKE, INC. 2000
 Printed in the U.S.A.
 Part Number: 101289